

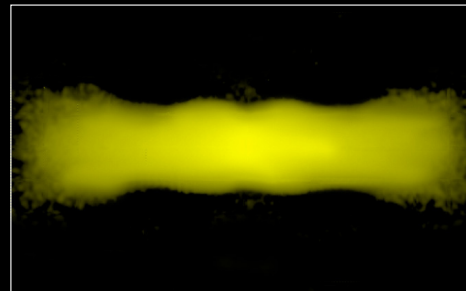
SENTINEL 7" ELITE YELLOW



The Sentinel 7" Elite is built for drivers who demand serious performance in the harshest conditions. Now available with yellow LEDs for improved contrast in dust, fog, snow, and bad weather, the Elite grade delivers the same proven long-range punch and wide-spread visibility that's made it a go-to choice for off-roaders, overlanders, and performance truck builds.

Engineered around a true combo beam pattern, the center optics drive a powerful down-range hotspot, while the upper and lower sections push out a massive 65° spread—lighting up trails, tree lines, and work areas with ease. The rugged housing, premium components, and precision-built optics ensure the Elite performs when the terrain, weather, and conditions turn against you.

Designed for durability, built for real-world abuse, and now enhanced with yellow LED performance, the Sentinel 7" Elite stands out as a top-tier round driving light for any serious off-road or utility setup.



**BEAM
DISTRIBUTION**
HORIZONTAL: 65°
VERTICAL: 18°



BEAM PATTERN
BOOST MODE



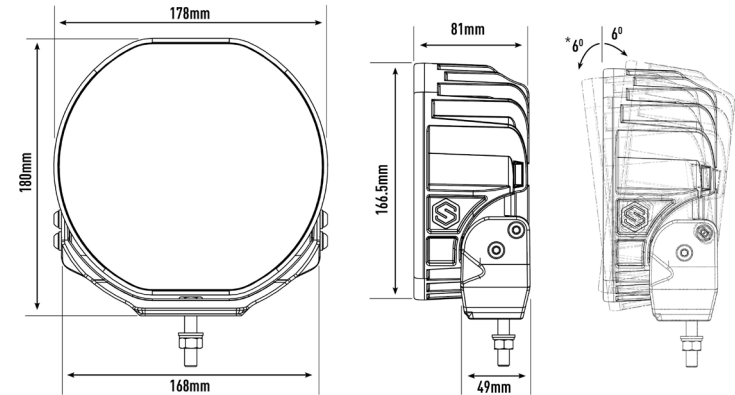
KEY FEATURES

- Combination of 24 premium 'bin' Yellow LEDs
- Stealth black internal aesthetic for a refined, modern appearance.
- 5000K LED colour temperature with 80CRI for maximum sharpness and definition
- Integrated white and amber backlight function.
- Ultra-reflective vacuum-metallised spot and wide-beam optics.
- Supplied with a slim diecast aluminium mounting bracket.
- Electronic thermal management system maintains optimal output and LED longevity.
- Anodised pre-treatment with automotive -grade powder coating for superior corrosion and chemical resistance.
- CAE-optimised heatsink engineered for improved thermal dynamics.
- Over-voltage and Reverse-polarity protected.
- Unbreakable' hard-coated polycarbonate lens for maximum durability.
- A2 stainless steel fasteners with automotive -grade black coating.
- IP68 watertight rating – tested to 1.5m submersion for 30 minutes.
- Backed by a comprehensive 5-year warranty.
- Supplied with pre-wired male/female 3-Pin Superseal connectors.
- Designed and manufactured in the UK.

SPECIFICATIONS

WEIGHT	1.5 KG
RAW LUMENS	9,600 LM
TOTAL DRIVER 'FOV' FLUX	5,568 LM
COLOUR TEMPERATURE	YELLOW
VOLTAGE RANGE	10V-32V
POWER CONSUMPTION	110 WATTS
PEAK CURRENT DRAW	9.3 AMPS
CURRENT DRAW @ 14.4V	8 AMPS
IP RATING	IP68 WATERTIGHT
CONNECTOR	3-PIN SUPERSEAL (+25CM CABLE)

DIMENSIONS



PHOTOMETRICS

